

10KW FM Transmitter

YXHT-FM10KW



Car baking paint is used on the surface of the chassis. It is bright and beautiful. The frame is made of aluminium alloy, and the internal structure is made of stainless steel. It is corrosion-resistant and rust-proof.

10KW FM Transmitter

YXHT-FM10KW

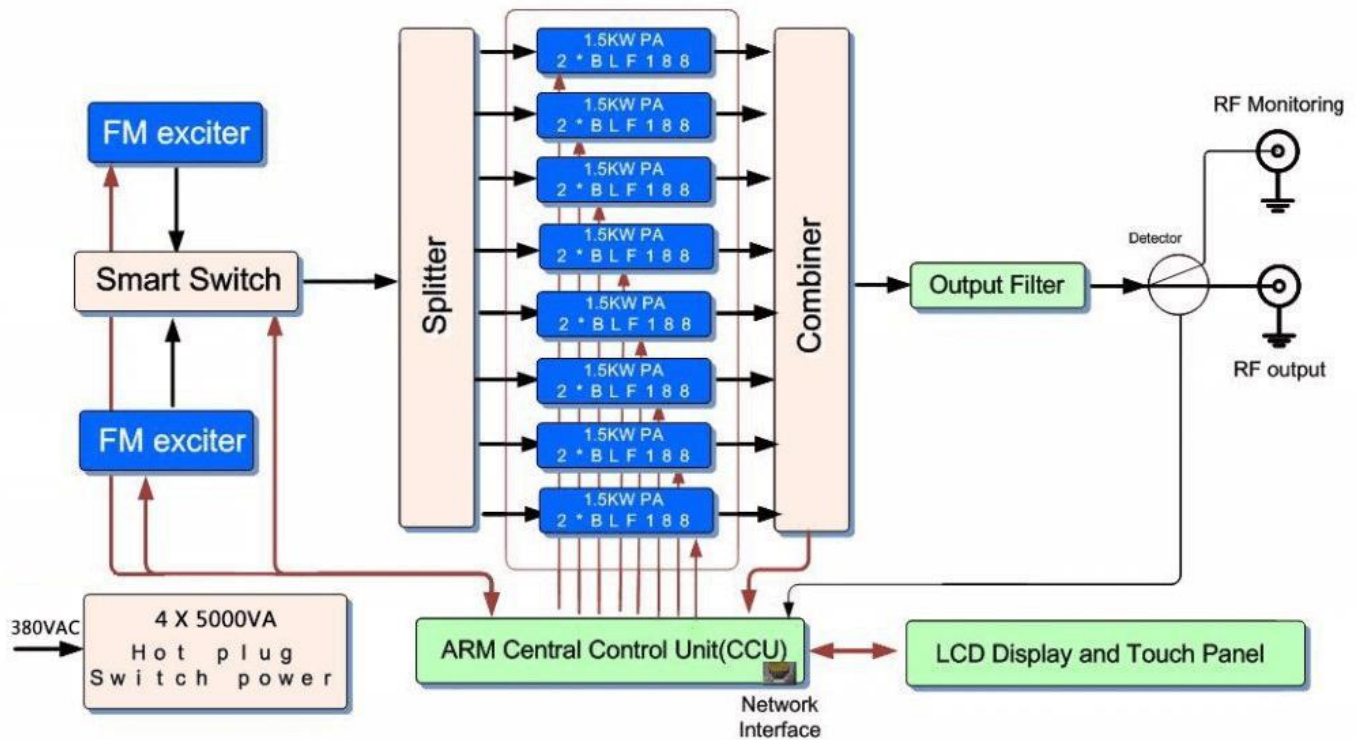




5 sets of power supply, each set of power supply of 2500W. Plug type, convenient and quick for replacement.



Four direct current fans, plug type, large air volume, good cooling mode, convenient and quick for replacement. Made of 304 stainless steel, suitable for long-term use in humid areas, corrosion resistance and rust resistance.



1. 12 Units 1KW hot plug RF power modules. Total output power is extremely stable thanks to AGC (Automatic Gain Control).
2. 102.5KVA switched power supply modules working parallel.
3. 12-way High efficiency combiner with patent technology.
4. Two All-digital 30W exciters with switcher used to drive each module directly.
5. Analog and digital (AES/EBU) audio signal input directly.
6. 12.1-inch Color LCD with touch panel displays all the parameters in real time.
7. Five kinds of protect method by MCU, like over Pf, over SWR, over Temp Voltage, Current.
8. Real hot-plug structure, the modules can be repairing at non-stop condition
9. RS232/RS485 Communication interface ready for remote system.

Technical Specifications:

1. Frequency Range: 87.0MHz~108 MHz
2. Frequency Setting step: 10KHz
3. Carrier Frequency precision: 200Hz
4. Residual Wave Radiation: 75dBc
5. Analog audio Input Impedance: 600Ω, Balance AES/EBU digital audio input impedance: 110Ω, Balance
6. Separation: >50dB, 30Hz~15KHz
7. Audio Input Level: -10dBm~+10dBm, step 0.01dB
8. S/N: >75dB(1kHz, 100% modulation)
9. Audio Harmonic Distortion: <0.1%
10. Audio response: =0.1dB(10Hz~15KHz)
11. Output Load Impedance: 50Ω
12. Output Power: 0W~10KW
13. Pre-emphasis: 0μS, 50μS, 75μS
14. Deviation: 19 kHz; 1Hz
15. Pilot Frequency: 19 kHz; 1Hz
16. RF Output Interface: 3+1/8"
17. Size: Width(144mm), Height(1860mm), Depth(950mm)
18. Weight: 200KG